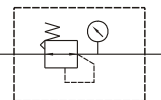


MAR901 series Pilot operated

AIR UNITS (R. UNIT)



Symbol:



- MAR901 can be installed at any point in the compressed air system without regard to accessibility ensuring accurate pressure regulation over a wide range of air flows upto 56640 l/min

Specification:

Model	MAR901
Bore No.	50A
Port size	PT 2
Medium	Air
Operating pressure range	0~31kgf/cm ² (0~3.1MPa)
Regulation pressure range	Upto 17.5kgf/cm ² (with the help of a pilot regulator)
Ambient temperature	0~+80°C (No freezing)
Standard nominal flow rate (※)	59000 l/min
Attachment	Pressure gauge
Weight	3055 g

※ Flow is at 10kgf/cm² supply pressure and 1kgf/cm² pressure drop of 6kgf/cm² of secondary pressure.

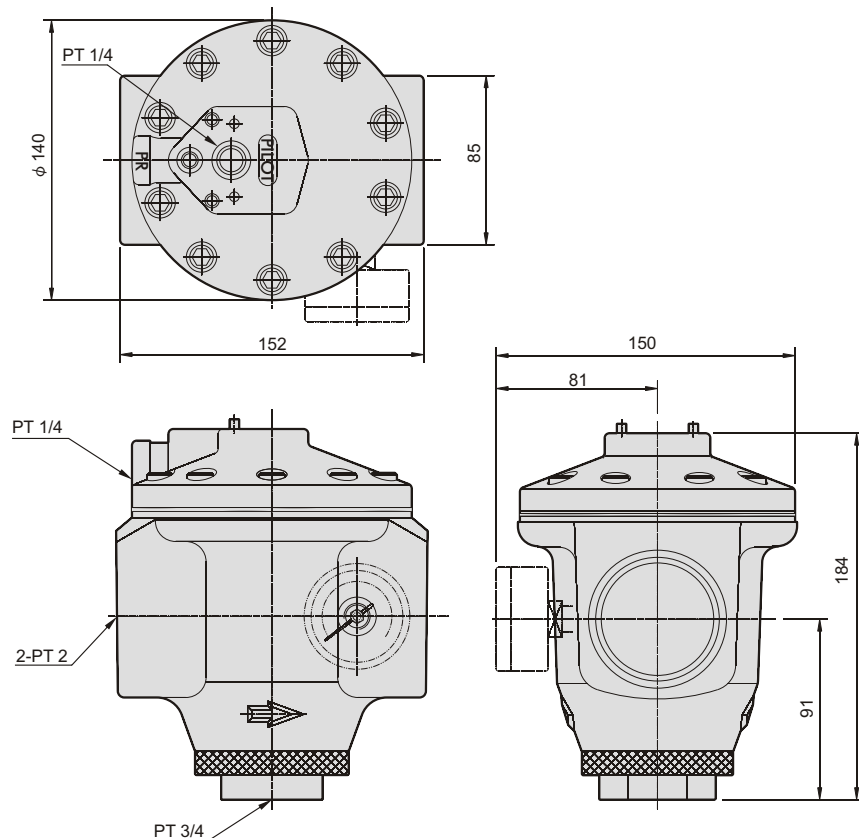
Order example:

MAR901 — 50A — BSP

MODEL

BORE SIZE
50A: PT 2

PORT THREAD
Blank: PT thread
BSP: BSP thread
NPT: NPT thread



Pilot operation

